

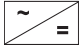
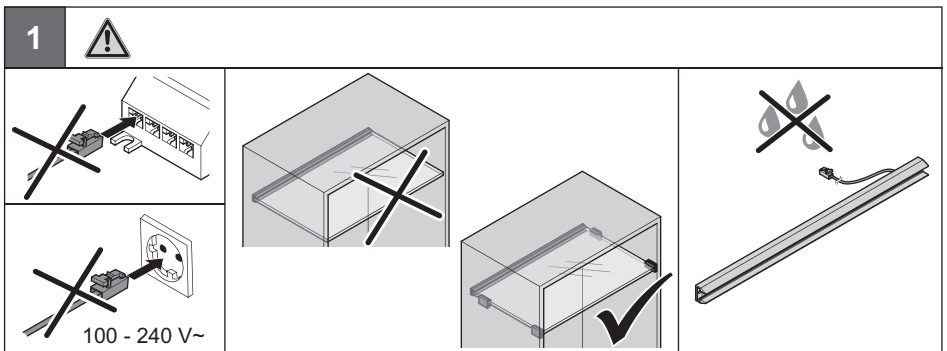
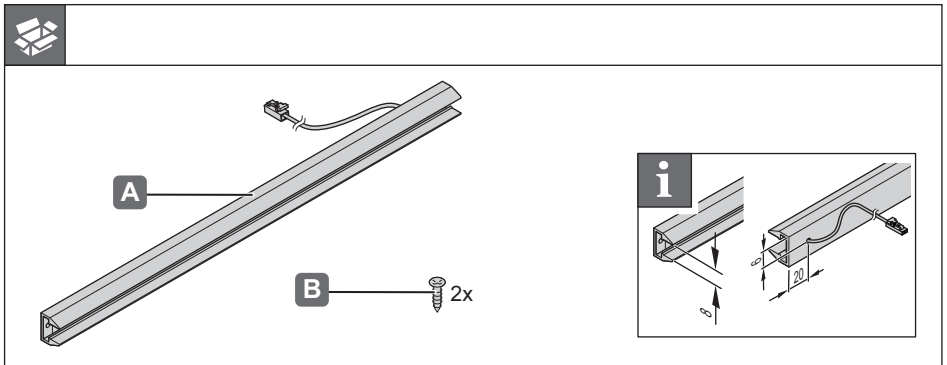




LED 2007

833.74.050
833.74.051
833.74.060
833.74.061

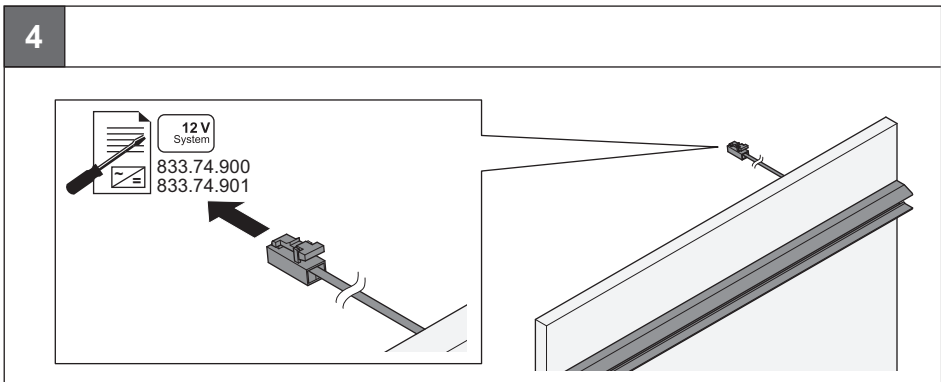
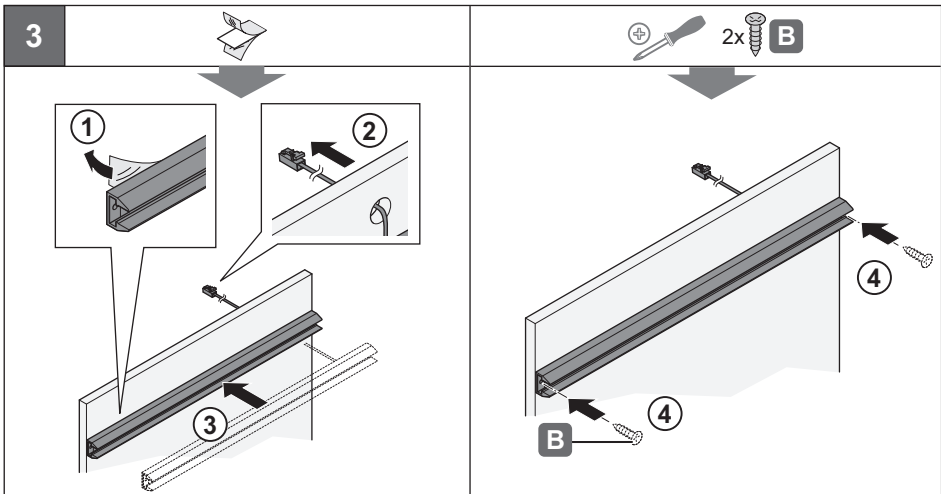
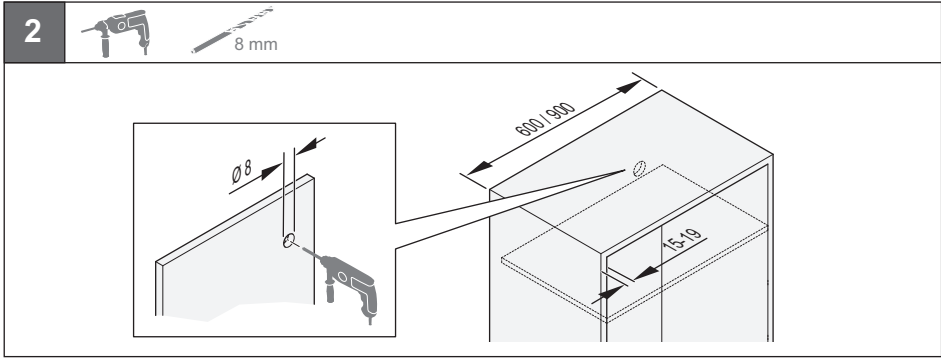
| 12 V System | K | W | T _A |  mm |  mm |  |
|-------------|--------|-------|-----------------------------------|--|--|--|
| 833.74.050 | 3400 K | 2.2 W | -20 °C – +35 °C -4 °F – +95 °F | 561 x 12 x 15 | ≥ 571 x 22 x 25 | 833.74.900 833.74.901 |
| 833.74.051 | | 3.4 W | | 861 x 12 x 15 | ≥ 871 x 22 x 25 | |
| 833.74.060 | blue | 2.1 W | | 561 x 12 x 15 | ≥ 571 x 22 x 25 | |
| 833.74.061 | | 3.2 W | | 861 x 12 x 15 | ≥ 871 x 22 x 25 | |



Maße in mm – Dimensions in mm – Medidas en mm

HDE 14/12/2010

732.28.205



Maße in mm – Dimensions in mm – Dimensiones en mm

HDE 14/12/2010

732.28.205